

Serie **MK** PREMIUM line

FRANTUMATORE MULTI KIT

MULTI KIT PULVERIZER

BROYEUR MULTI KIT

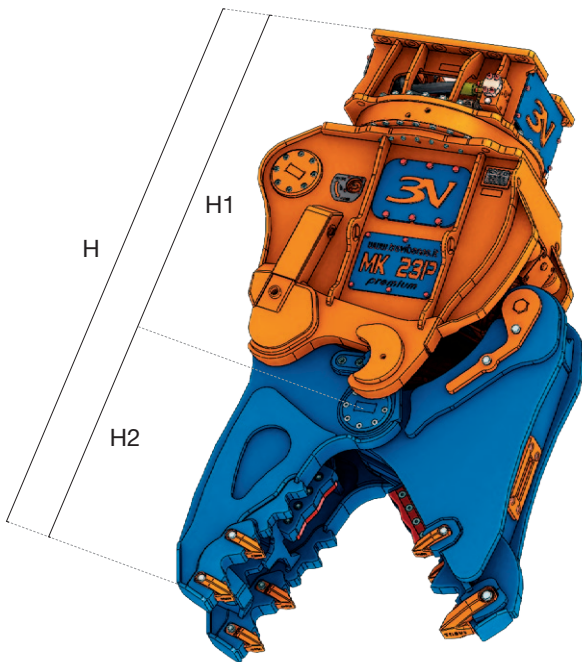
DEMOLEDOR MULTI KIT

MEHRZWECKGERÄT MULTI KIT

GARRA DEMOLIDORA MULTIFUNÇÕES

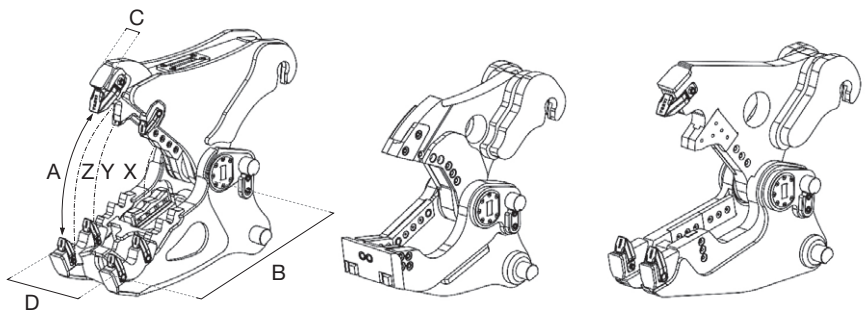


model	17	18	25	27	
MK 18P	[Bar chart showing tonnage range 17-27]				(1) Accoppiamento escavatore-attrezzatura ottimale Optimum excavator-equipment combination Couplage pelle-équipement optimal Acoplamiento excavadora-implemento optimal Optimale Bagger-Ausrüstung Kombination Combinação máquina-implemento ideal
MK 23P	[Bar chart showing tonnage range 24-38]				
MK 28P	[Bar chart showing tonnage range 33-48]				(2) Accoppiamento escavatore-attrezzatura possibile Possible excavator-equipment combination Couplage pelle-équipement possible Acoplamiento excavadora-implemento posible Mögliche Bagger-Ausrüstung Kombination Combinação máquina-implemento possível



		MK 18P	MK 23P	MK 28P
	kg.	1335	1520	2015
H1**	mm.	1270	1330	1385
	bar	250	250	250
	l/min.	130 / 200	180 / 250	230 / 300
	bar	140	140	140
	l/min.	10	10	10

**H = H1 + H2



HARDOX®
WEAR PLATE



HARDOX®
IN MY BODY

		Kit FR			Kit CS			Kit CB		
		MK 18P	MK 23P	MK 28P	MK 18P	MK 23P	MK 28P	MK 18P	MK 23P	MK 28P
	kg.	780	1000	1425	650	1020	1310	760	1185	1400
A	mm.	750	850	905	410	515	520	690	815	850
B	mm.	720	780	820	485	545	560	750	800	815
C	mm.	300	300	360	100	120	130	110	130	130
D	mm.	465	485	590	330	380	440	320	350	415
	mm.	220	260	260	470	510	565	420	480	500
H2**	mm.	950	1065	1145	785	910	965	1010	1145	1185
X	t.	255	260	340	510	610	815	480	620	710
Y	t.	120	155	155	210	280	325	130	160	175
Z	t.	80	105	120	115	150	165	80	105	120
∅ max	mm.	40	45	50	55	65	70	45	50	55
	mm.	/	/	/	240	380	400	/	/	/
	mm.	/	/	/	180	240	260	/	/	/
	mm.	/	/	/	/	/	/	/	/	/